



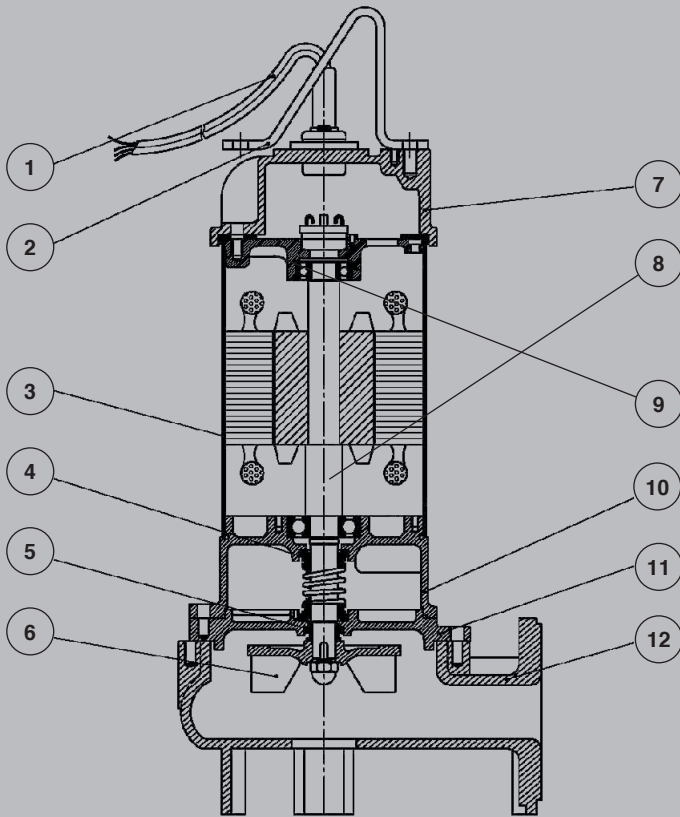
KLEEpump

VP series

KLEEpump VP is a high-quality, versatile and reliable drainage and dewatering pump. The free-flow impeller ensures good free passage, which makes the pump usable in many places.

The KLEEpump series is our own high-quality brand, and has been developed and tested in collaboration with our manufacturer.

See more at www.klee.dk for our selection of drain and sewage pumps.



Component
1. Cable (H07RN-F)
2. Handle (Nylon)
3. Motor Cover (AISI 304)
4. Gasket (shaft seal) (SiC/SiC)
5. Oli seal (NBR)
6. Vortex impeller (EN 200)
7. Top Cover (EN 200)(P66 model 0,4kW)
8. Shaft (AISI 410)
9. Cover (EN 200)
10. Oil house (EN 200)
11. Seal housing (EN 200)
12. Pump house (EN 200)



Model codes

- VP:** Name of series
- S:** 1-phase (standard 1x230V)
- T:** 3-phase (standard 3x400V)
- SA:** Swimming switch

Applications

- Light waste water
- Drainage in e.g. parking garages
- Discharge of surface water
- Drainage of groundwater.

Motor data (VP)

- Motor power: 0,4-5,5 kW
- Frequency: 50Hz
- Nominal Speed: 2900 rpm
- Protection Device:
Thermal Protector (1-phase)

Features

- Cables (10 m with Danish plug on 1-phase models)
- Vortex impeller
- Switches (0,4-1,5 kW with automatics as an option)
- Double mechanical Ca/Ce shaft seal (mounted in the oil chamber)
- Flanges and connections, etc.
- Pump houses.

Pump data (VP)

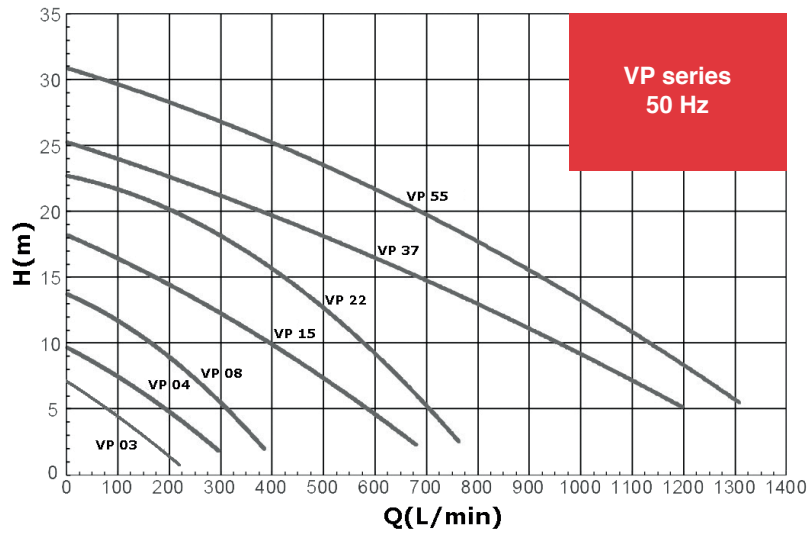
- Impeller: Open Impeller
- Shaft Seal/Mechanical:
Double Seals
- Bearing: Closed Ball Bearing

Operation Conditions

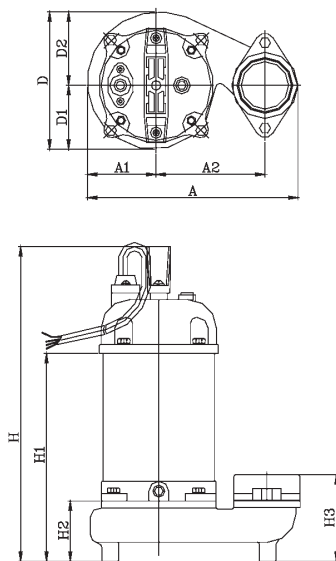
Fluid Temperature:
0 to 40°C



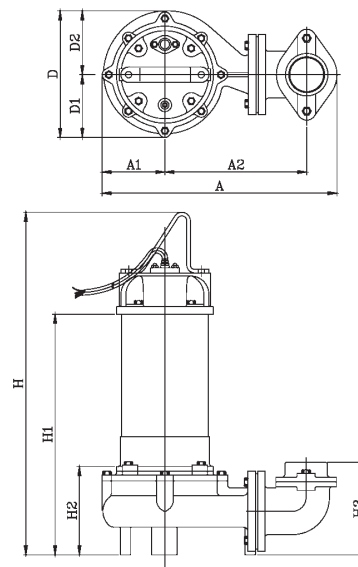
KLEEpump - VP series



VP (0,4-1,5 kW)



VP (2,2-5,5 kW)



Technical data

Discharge [mm]	Model	Version	Power [kW]	Current		Dimensions [mm]							Weight Kg
				V	A	A1	A2	D	H	H1	H2	H3	
50 (2")	VP-50-04	S/SA/T	0,4	1x230/3x400	222	73	115	145	410	297	113	133	13
	VP-50-08	S/SA/T	0,75	1x230/3x400	222	73	115	149	464	340	113	133	18
	VP-50-15	S/SA/T	1,5	1x230/3x400	316	103	163	208	548	398	120	152	33
80 (3")	VP-80-15	T	1,5	3x400	316	103	163	208	548	398	120	152	33
	VP-80-22	T	2,2	3x400	387	103	234	208	568	420	122	153	34
	VP-80-37	T	3,7	3x400	459	110	256	227	633	468	160	220	56
	VP-80-55	T	5,5	3x400	459	110	256	227	673	508	160	220	62

S= 1-phase / SA= 1-phase with automatics / T= 3-phase.



See more at www.klee.dk

Retailer:

Brd. Klee A/S

Gadagervej 11
2620 Albertslund
Tel 43 86 83 33
Fax 43 86 83 88
klee@klee.dk
www.klee.dk